
PVR SERIES
VANE PUMPS
CONTROL OPTIONS



Model Shown: PVR15-15B15-RF-0-525B60L

FEATURES

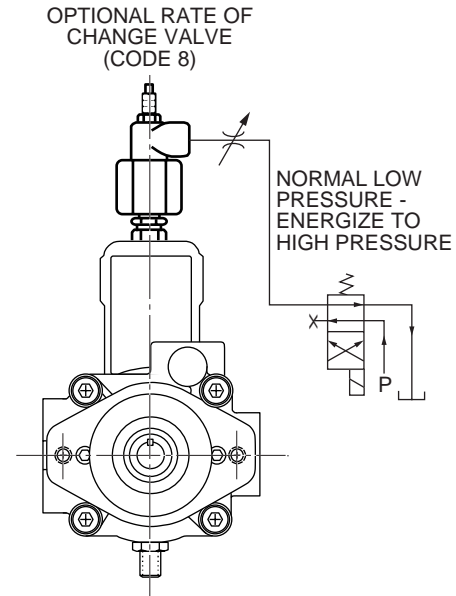
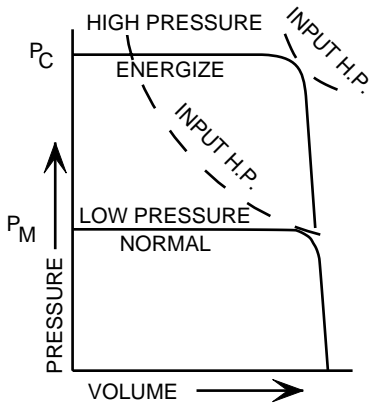
- High and low field-adjustable pressure levels.
- High and low field-adjustable volume levels.
- Field-adjustable pressure rate change between high and low levels.
- Field-adjustable acceleration and deceleration rates between high and low volume levels.
- Pump mounted control valve, or pilot signal from a remote source.
- All combinations of two pressure levels and two volume levels possible.

BENEFITS

- Replace dual flow valve circuits ... reduce overall valve count.
- Replace high-low pressure circuits ... eliminate multiple pumps and pressure intensifiers.
- Reduce system shock by smoothly accelerating and decelerating loads and gradually increasing and decreasing pressures.
- Reduce overall system costs.
- Energy efficient ... use only the power required for the job.
- Available as a field installed option.

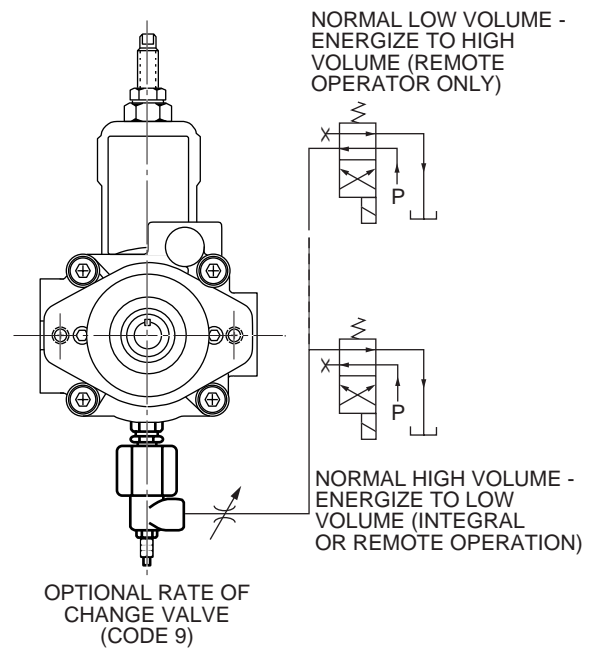
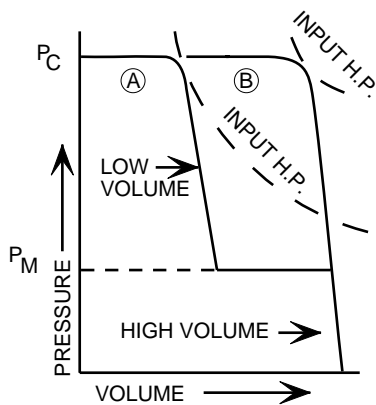
DUAL PRESSURE CONTROL

- Two constant pressure levels; field adjustable to meet system requirements.
- Pressure compensated variable flow; zero to maximum gpm.
- Pump mounted control valve or remote pilot signal.



DUAL VOLUME CONTROL

- Constant pressure; field adjustable to meet system requirements.
- Two field adjustable flow limits;
 - Low limit (A)
 - High limit (B)
- Pump mounted control valve or remote pilot signal.

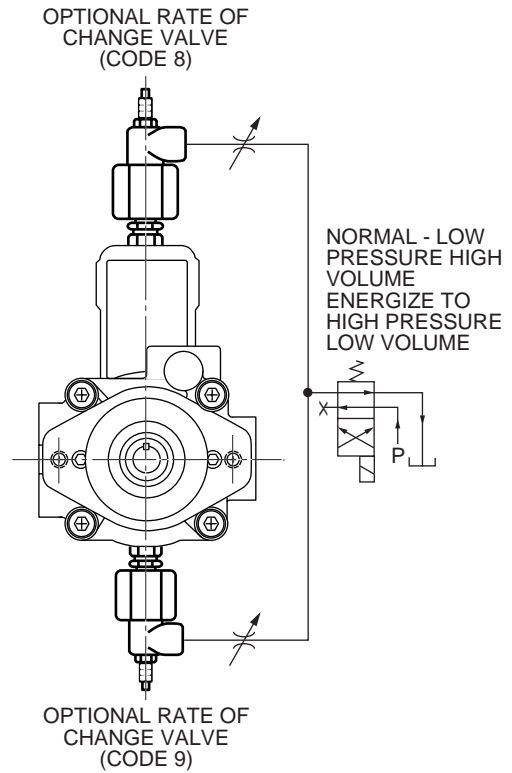
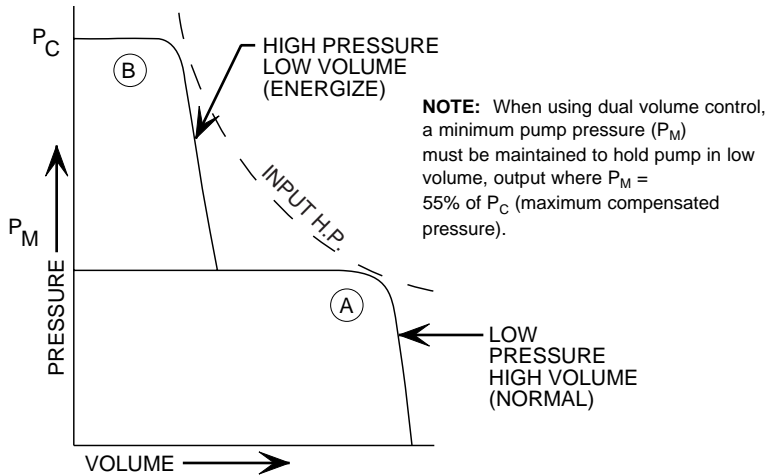


NOTE: When using dual volume control, a minimum pump pressure (P_M) must be maintained to hold pump in low volume, output where $P_M = 55\%$ of P_C (maximum compensated pressure).

DUAL PRESSURE/DUAL VOLUME CONTROL

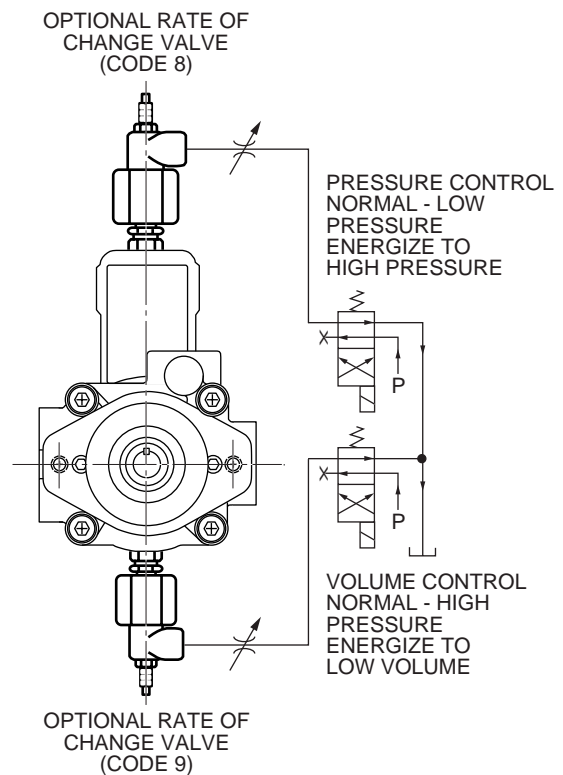
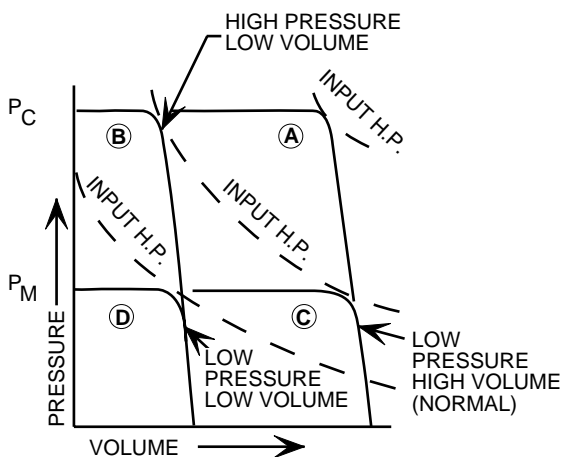
Common Control Valve

- Two field adjustable pressure levels and flow limits provide:
 - Low pressure, high flow (A)
 - High pressure, low flow (B)
- Pump mounted control valve or remote pilot signal.



Independent Control Valves or Signal

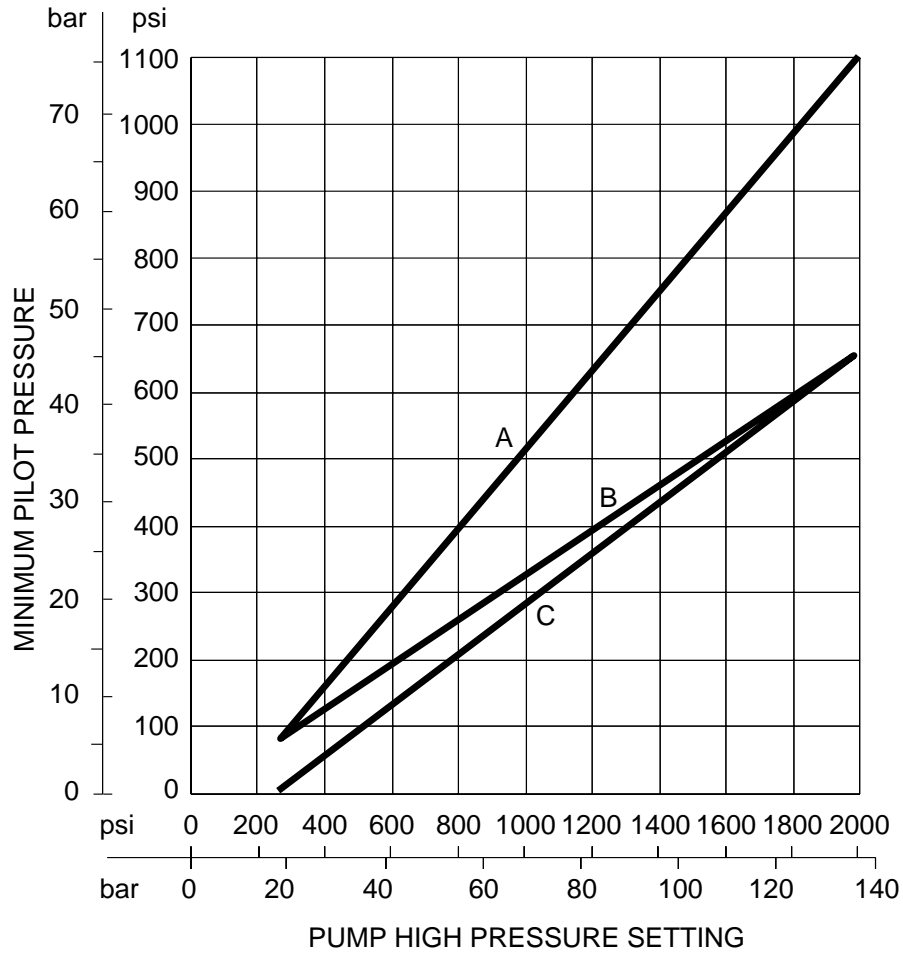
- Two field constant pressure levels and adjustable flow limits provide:
 - High pressure, high flow (A)
 - High pressure, low flow (B)
 - Low pressure, high flow (C)
 - Low pressure, low flow (D)
- Remote mounted control valves for pilot signals only.



NOTE: When using dual volume control, a minimum pump pressure (P_M) must be maintained to hold pump in low volume, output where $P_M = 55\%$ of P_C (maximum compensated pressure).



CONTROL PILOT PRESSURES



PUMP	CONTROL	PILOT	CURVE SOURCE
6	PRESSURE	REMOTE	C
15	PRESSURE	REMOTE	B
		INTEGRAL	-
	VOLUME	REMOTE	A
		INTEGRAL	A
50	PRESSURE	REMOTE	A
		INTEGRAL	-
	VOLUME	REMOTE	A
		INTEGRAL	A

**PVR15 SERIES
VANE PUMPS**
CONTROL OPTIONS

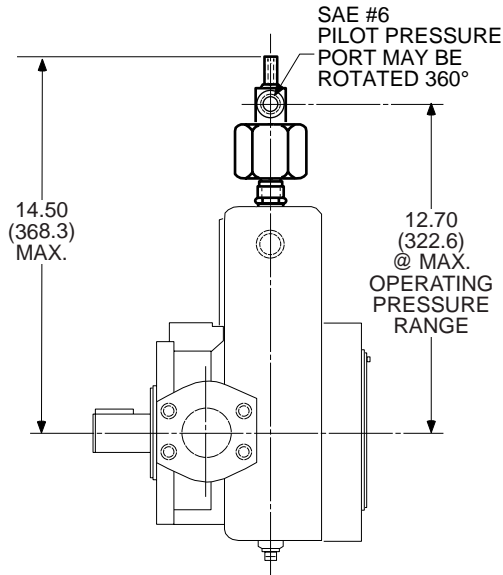


DUAL PRESSURE CONTROL DIMENSIONS

Dimensions shown in: Inches
(millimeters)

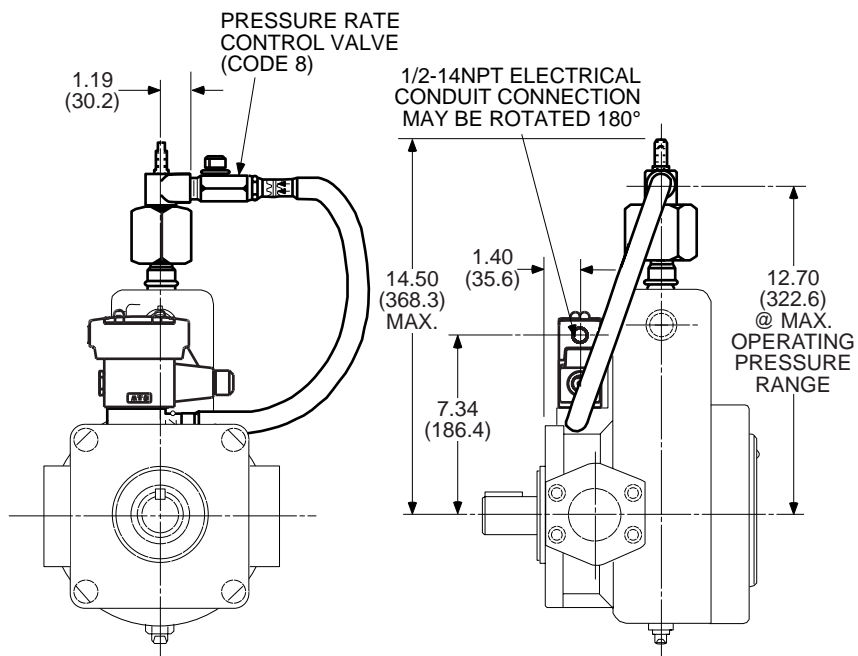
Code RF Pump
Remote Operator Control - Code 17

RF (CW) Rotation Shown ...
LF (CCW) Dimensions Are
The Same



Integral Operator Control* - Code 18

*NOTE: Requires choice of operator electrical option codes from Control Valve Options.





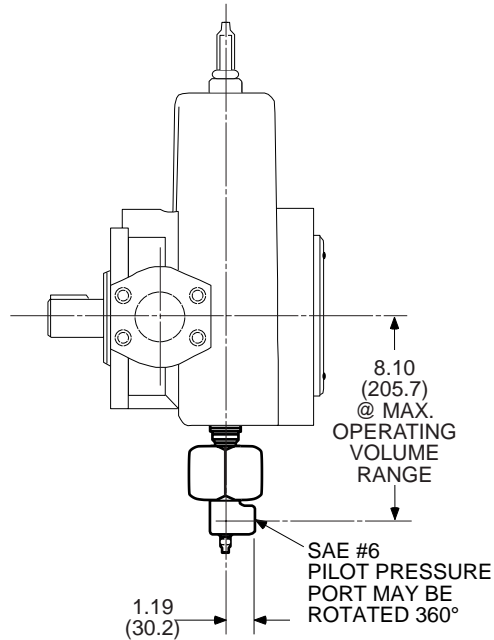
**PVR15 SERIES
VANE PUMPS**
CONTROL OPTIONS

DUAL VOLUME CONTROL DIMENSIONS

Code RF Pump
Remote Operator Control - Code 2400

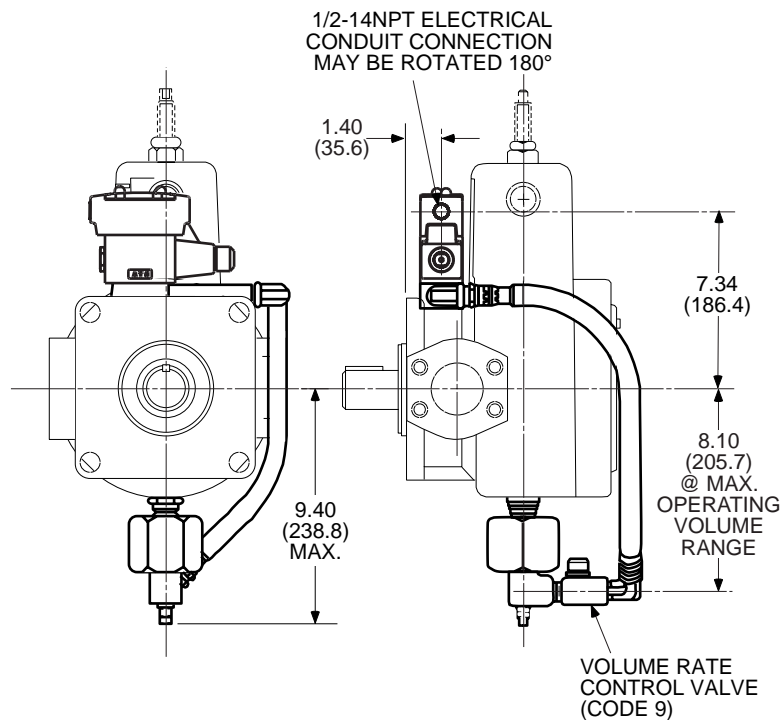
Dimensions shown in: Inches
(millimeters)

RF (CW) Rotation Shown ...
LF (CCW) Dimensions Are
The Same



Integral Operator Control* - Code 24

*NOTE: Requires choice of operator electrical option codes from Control Valve Options.



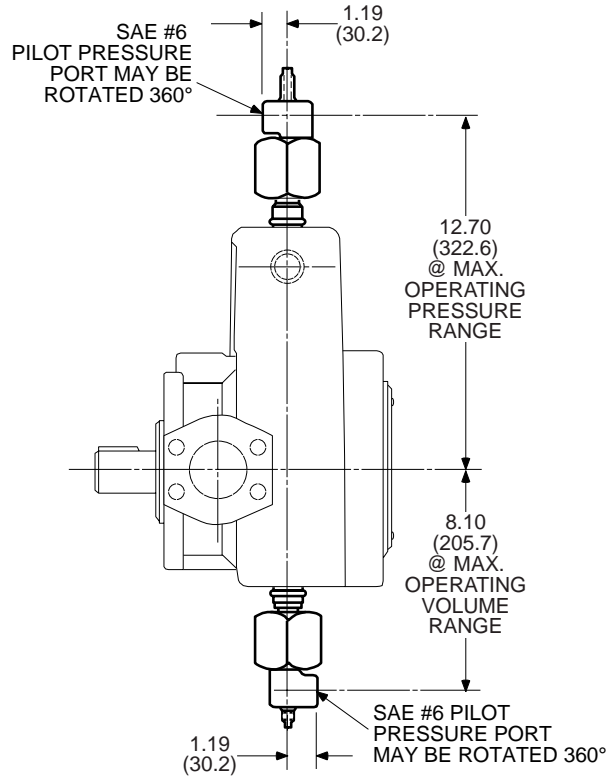
**PVR15 SERIES
VANE PUMPS**
CONTROL OPTIONS



DUAL PRESSURE/DUAL VOLUME CONTROL DIMENSIONS Dimensions shown in: Inches (millimeters)

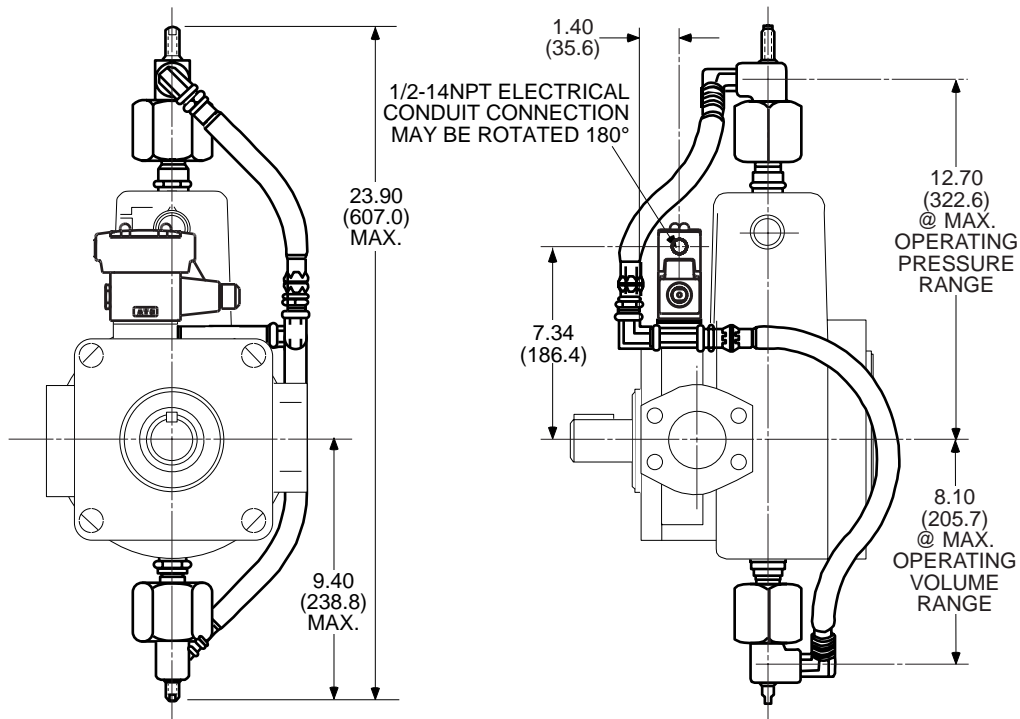
Code RF Pump
Remote Operator Control - Code 2500

RF (CW) Rotation Shown ...
LF (CCW) Dimensions Are
The Same



Integral Operator Control* - Code 25

*NOTE: Requires choice of operator electrical option codes from Control Valve Options.

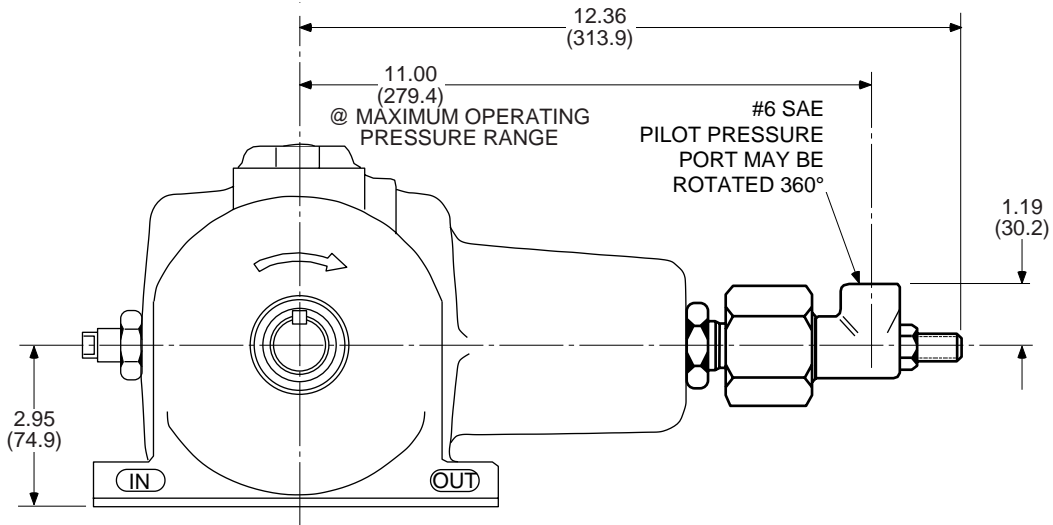




DUAL PRESSURE CONTROL DIMENSIONS

Code RM Pump

Remote Operator Control - Code 17



PVR15 SERIES VANE PUMPS

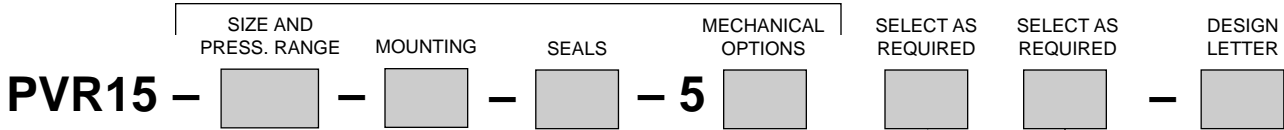
CONTROL OPTIONS



ORDERING INFORMATION

Flange Mounted - Code RF Only

TO COMPLETE CODE, REFER TO PVR SECTION, ORDERING INFORMATION



CONTROL OPTIONS

CODE	DESCRIPTION
OMIT	NO OPTIONS
8*	DUAL PRESSURE RATE CONTROL VALVE
9	DUAL VOLUME RATE CONTROL VALVE
17*	DUAL PRESSURE REMOTE OPERATED
18†	DUAL PRESSURE WITH INTEGRAL OPERATOR
24†	DUAL VOLUME WITH INTEGRAL OPERATOR
25†	DUAL PRESSURE/ DUAL VOLUME WITH INTEGRAL OPERATOR
2400	DUAL VOLUME REMOTE OPERATED
2500	DUAL PRESSURE/ DUAL VOLUME REMOTE OPERATED

*NOTE: Only controls options 8 and 17 are available on "RM" mounting.

†NOTE: Maximum pressure rating includes surges.

CONTROL VALVE INTEGRAL OPERATOR OPTIONS

USE WITH CODES 18, 24 and 25

Mechanical Options		Top Electrical Box	Sol. Indicator Lights	Solenoid	
CODE	DESCRIPTION	CODE	DESCRIPTION	CODE	DESCRIPTION
OMIT	NOT REQUIRED				
Z	MANUAL OVERRIDE ON NON-SOLENOID END				
LEAD WIRE CONNECTIONS					
		OMIT	NOT REQUIRED	60L	110/120V 50/60 HZ
B	TOP ELECT. BOX WITHOUT TERMINAL POSTS			61L	220/240V 50/60 HZ
B5H	TOP ELECT. BOX WITH 5 PIN MALE RECEPTACLE FOR 1 OR 2 SOLENOIDS			68L	110/120V 50/60 HZ (LOW AMPS)
				70L	24 VDC
				75L	12 VDC
DIN 43650 CONNECTIONS					
		OMIT	NOT AVAILABLE	33L	110/120V 50/60 HZ
				34L	220/240V 50/60 HZ
				42L	24 VDC
				44L	12 VDC

TYPICAL ORDERING CODE:

PVR15-15B15-RF-O-5818B60L-F

